

LASERS OF HCL SERIES (0.325/0.442 μm)

Helium-Cadmium lasers of HCL series are intended to be used as a source of coherent emission in scientific and research activities, stereolithography, manufacturing of holographic optical elements, metrology, biochemistry and cytometry, polygraphy, medical diagnostics and therapy.

The lasers comprise of laser head and power supply. Optics holder, to which a discharge tube is fastened and which is sealed by Brewster windows, is the basis of the laser head design.



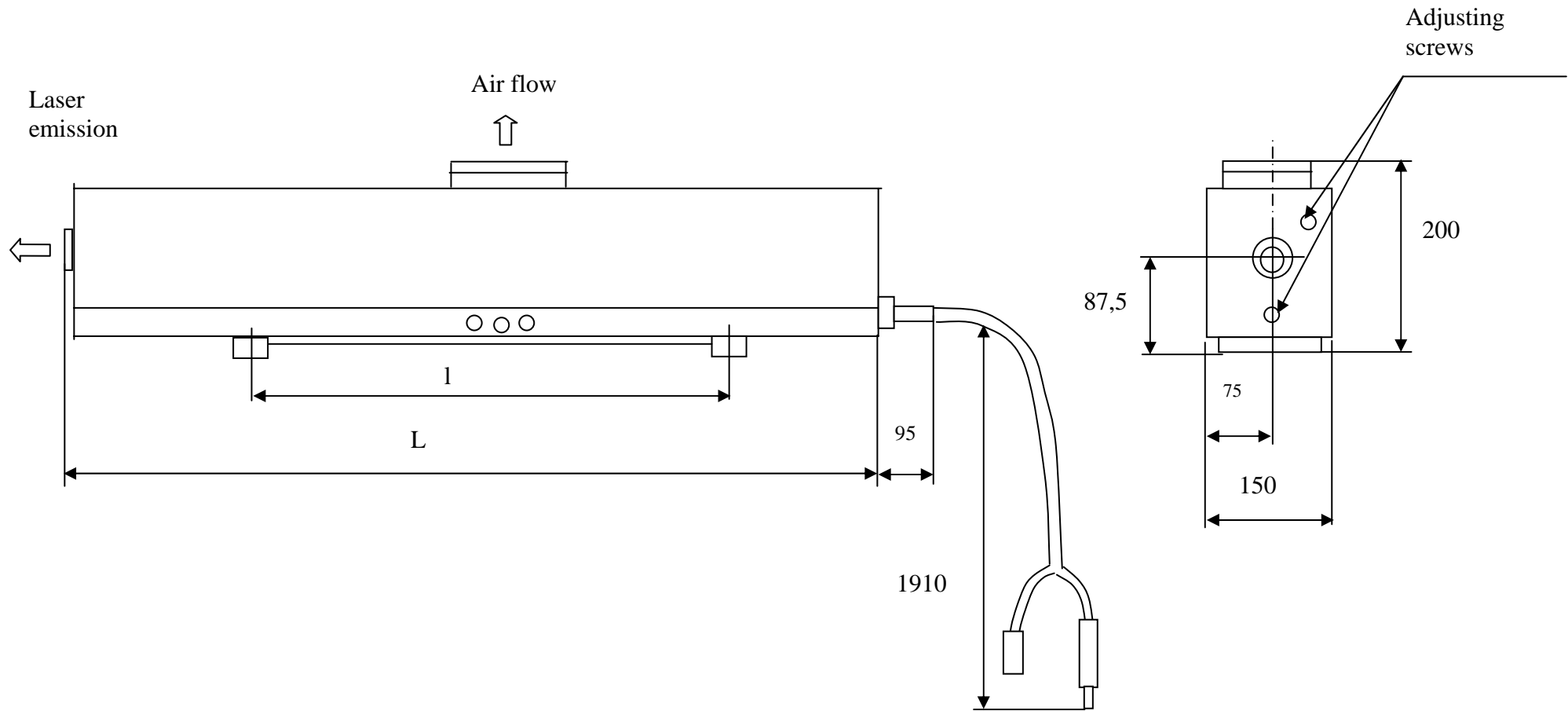
Parameters	HCL-40	HCL-40M	HCL-40(I)	HCL-100(I)
Wavelength, μm	0.325/0.442			
Emission power (typical), mW	5/35	10/40	15/50	30/100
Spectral structure	TEM ₀₀ /TEM ₀₀		TEM _m n/TEM ₀₀	
Polarization	100:1			
Beam diameter, mm, not more	1.4	1.5		2.0
Beam divergence, mrad, not more	0.9/0.9	2.5/0.9	2.0/0.9	2.0/0.9
Power consumption, W, not more	500			1000
Dimensions of laser head, mm, not more	1015x150x200			1510x150x200
Dimensions of power supply, mm, not more	365x380x150			405x380x150
Mass, kg, not more (laser head/power supply)	11.0/8.0			20.0/10.0
Warranty lifetime, h, not less	2000			
Mean life, h, not less	3000			

* Relative power instability $\pm 5\%$

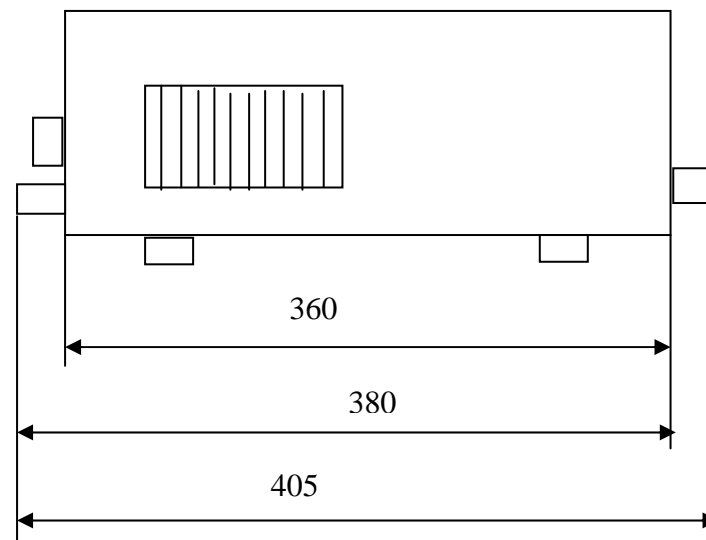
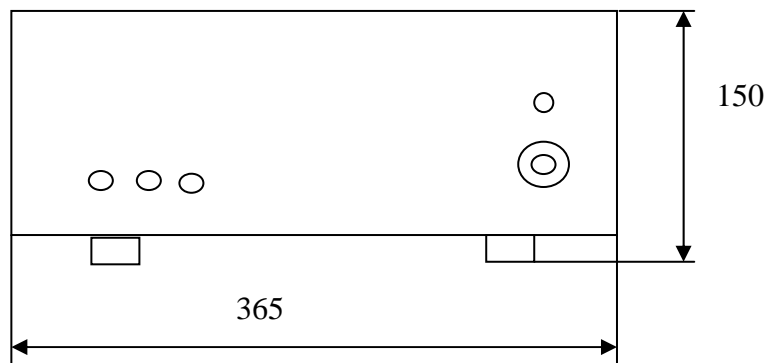
** Instability of directional pattern axis 0.25 mrad (during 3 hours)

*** Units with (I) index have coherence length 300 mm (without index – 100 mm)

Dimensional drawing of laser head



Dimensional drawing of power supply



JSC Research Institute of Gas Discharge Devices «PLASMA»
24 Tsiolkovsky Street, Ryazan 390023, Russia
Phone: +7(4912) 24 90 62, Fax: +7(4912) 44 06 81.
E-mail: sales@plasmalabs.com [Http: www.plasmalabs.com](http://www.plasmalabs.com)