

PROTECTIVE TWO WIRE LINE SPARK GAPS (SYMMETRICAL)

This type of spark gaps was produced to protect two-wire lines and different wireless devices from vigorous peak overvoltages and currents.

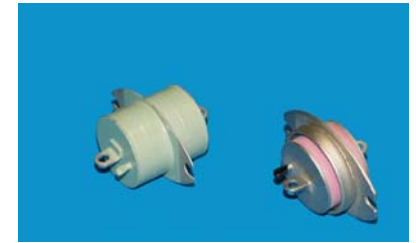
Item	Static breakdown voltage, kV	Dynamic breakdown voltage*, kV	Extinction voltage (at current < mA), kV	Pulse current (regime**), A	Sinusoidal current (regime**), A	Dimensions, d x H, mm	Operating time, imi.
R-64-1	0.6 – 0.9	3.0	0.5 (500)	1000 (1; 3)	10 (2)	27x45	200; 15
R-63-1	0.2 – 0.3	2.3	-	1000 (1; 3)	10 (2)	27x33	200; 15

* dU/dt = 4 kV/microsecond

** 1 – pulse width (at the level 0.5) – 125 microseconds;

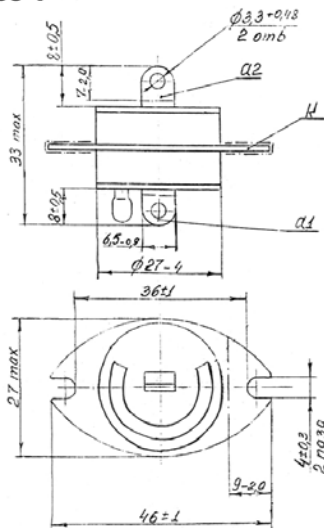
2 – sinusoidal current frequency 50 Hz;

3 – pulse width (at the level 0.5) – 5 milliseconds, switching charge – 15 coulomb.

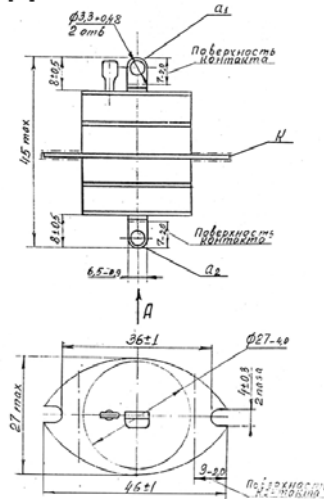


The draft:

R-63-1



R-64-1



JSC «PLASMA»

24 Tsiolkovsky Street, Ryazan, 390023, Russia. Phone: (4912) 24 90 62, Fax: (4912) 44 06 81.

E-mail: sales@plasmalabs.com. Website: www.plasmalabs.com