

Laser LG-106M4

Application:

- processing equipment;
- scientific research.

Peculiarities:

- glass-ceramic laser tube;
- unstabilized power supply.

Laser Emission Power, W, not less:

Filling	Ar	Kr	Ar+Kr
Wavelength Range, nm	TEM _{mn}	TEM _{mn}	TEM _{mn}
457.9-514.5	4	---	---
647.1-676.4	---	1	---
457.9-676.4	---	---	1
One line, nm	TEM ₀₀	TEM ₀₀	TEM ₀₀
676.4	---	0.2	0.07
647.1	---	0.8	0.3
514.5	1.0	---	0.3
501.7	0.17	----	0.07
496.5	0.37	---	0.12
488.0	1.0	---	0.3
476.5	0.35	---	0.14
472.7	0.1	---	0.05
465.8	0.05	---	0.05
457.9	0.25 **	---	0.1
454.5	0.10 **	---	---

* Parameters are guaranteed for the lines in bold type, other parameters are the achieved emission power values in the TEM₀₀ mode.

** Changeable optics.

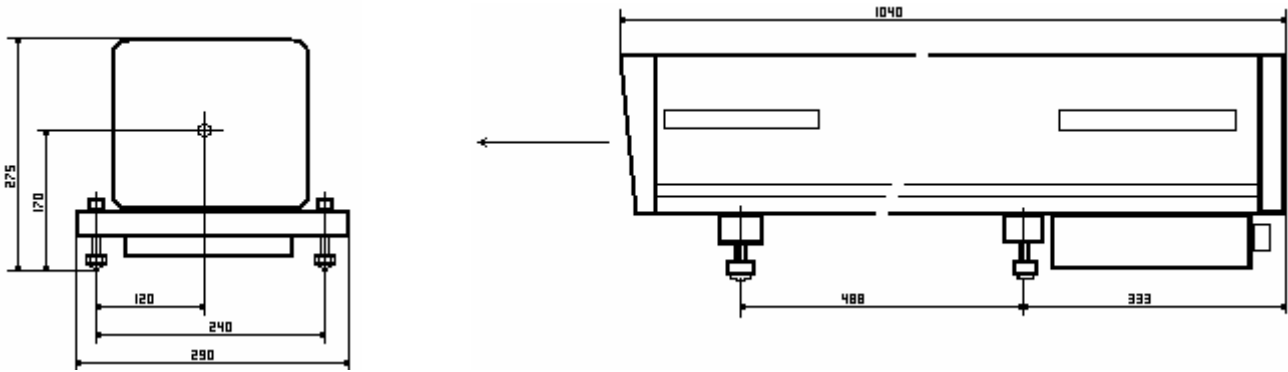
Other Parameters

Polarization, not less*	100:1
Divergence, mrad, not more	1.5
Supply (3F+N+G), V, Hz	380\220±10%, 50
Consumed power, kW, not more	19
Laser head and power supply cooling, consecutive	water
Water discharge, l/min., not less	8
Water pressure, kg/cm ² , not more	3.0
Temperature of the cooling water, °C, not more	30
Warranty operation time, hours, not less	500
Average resource, hours, not less	5000
Laser head mass, kg, not more	50
Power supply mass, kg, not more	35
Water filter mass, kg, not more	7.0

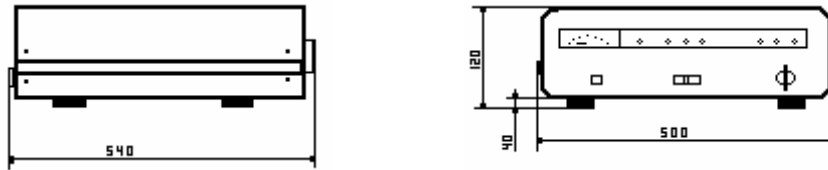
* At the customer's order, vector **E** orientation can be performed both in vertical and horizontal planes, or there can be made the production of the laser without polarization in multiline operation mode.

Outline Drawing

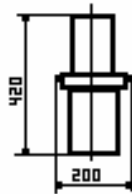
Laser Head



Power Supply



Water Filter to the Laser Head



- Plait Length:**
1. Laser head — power supply, 2.5 m.
 - 2*. Supply line, 2.5 m.
 - 3*. Control panel — power supply, 2.5 m.
 - 4*. Water hoses, 12 m.
- *---Plait lengths are specified by the customer.

JSC "Plasma"

24 Tsiolkovsky Street, 390023, Ryazan, Russia, tel.: (4912) 24 90 74, fax: (4912) 44 06 81.

E-mail: sales@plasmalabs.ru. Website: www.plasmalabs.ru