

Laser LG-106M4ST

Application:

- processing equipment;
- scientific research.

Peculiarities:

- economical efficiency (stabilized power supply based on conversion equipment);
- glass-ceramic laser tube.

Laser Emission Power, W, not less:

Filling	Ar	Kr	Ar + Kr
Wavelength Range, nm	TEM _{mn}	TEM _{mn}	TEM _{mn}
457.9-514.5	4	---	---
647.1-676.4	---	1	---
457.9-676.4	---	---	1
One Line, nm	TEM ₀₀	TEM ₀₀	TEM ₀₀
676.4	---	0.2	0.07
647.1	---	0.8	0.3
514.5	1.0	---	0.3
501.7	0.17	---	0.07
496.5	0.37	---	0.14
488.0	1.0	---	0.3
476.5	0.35	---	0.07
472.7	0.1	---	0.05
465.8	0.05	---	0.05
457.9	0.25 **	---	0.1
454.5	0.10 **	---	---

* Parameters are guaranteed for the lines in bold type, other parameters are the achieved emission power values in the TEM₀₀ mode.

** Changeable optics.

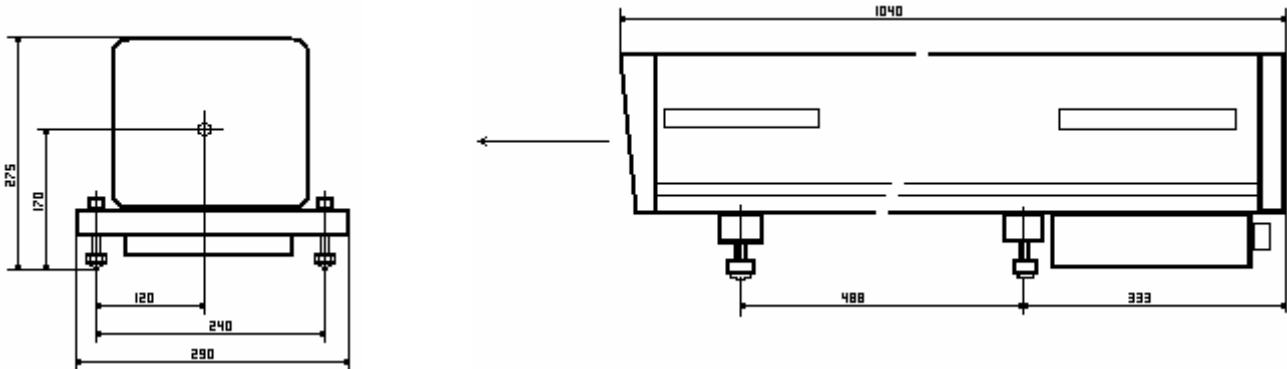
Other Parameters

Polarization, not less*	100:1
Divergence, mrad, not more	1.5
Beam diameter at the distance 0.4 m from the laser head, not more	3.0
Supply (3F+N+G), V, Hz	380\220±10%, 50
Consumed power, kW, not more	14
Laser head cooling	water
Water discharge, l/min., not less	8
Water pressure, kg\cm ² , not more	3.0
Power supply cooling	water
Water discharge, l/min., not less	1
Temperature of the cooling water, °C, not more	30
Warranty operation time, hours, not less	500
Average resource, hours, less	5000
Laser head mass, kg, not more	50
Power supply mass, kg, not more	45

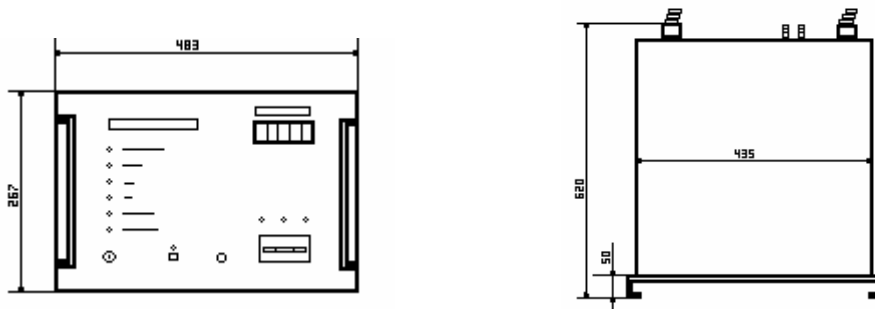
Control panel mass, kg, not more**	1.5
Water filter mass, kg, not more	7.0

* For the laser LG-106M4ST at the customer's order, vector **E** orientation can be performed both in vertical and horizontal planes, or there can be made the production of the laser without polarization in multilinear operation mode.
 ** The control panel is delivered at the customer's demand.

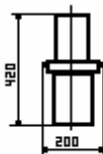
Outline Drawing
Laser Head



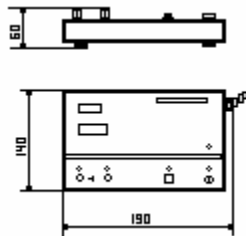
Power Supply



Water Filter to the Laser Head



Control Panel (is delivered at the customer's demand)



- Plait Length:**
1. Laser head — power supply, 2.5 m.
 - 2*. Supply line, 2.5 m.
 - 3*. Control panel — power supply, 2.5 m.
 - 4*. Water hoses, 12 m.
- *---Plait lengths are specified by the customer.

JSC "Plasma"

24 Tsiolkovsky Street, 390023, Ryazan, Russia, tel.: (4912) 24 90 74, fax: (4912) 44 06 81.

E-mail: sales@plasmalabs.ru. Website: www.plasmalabs.ru